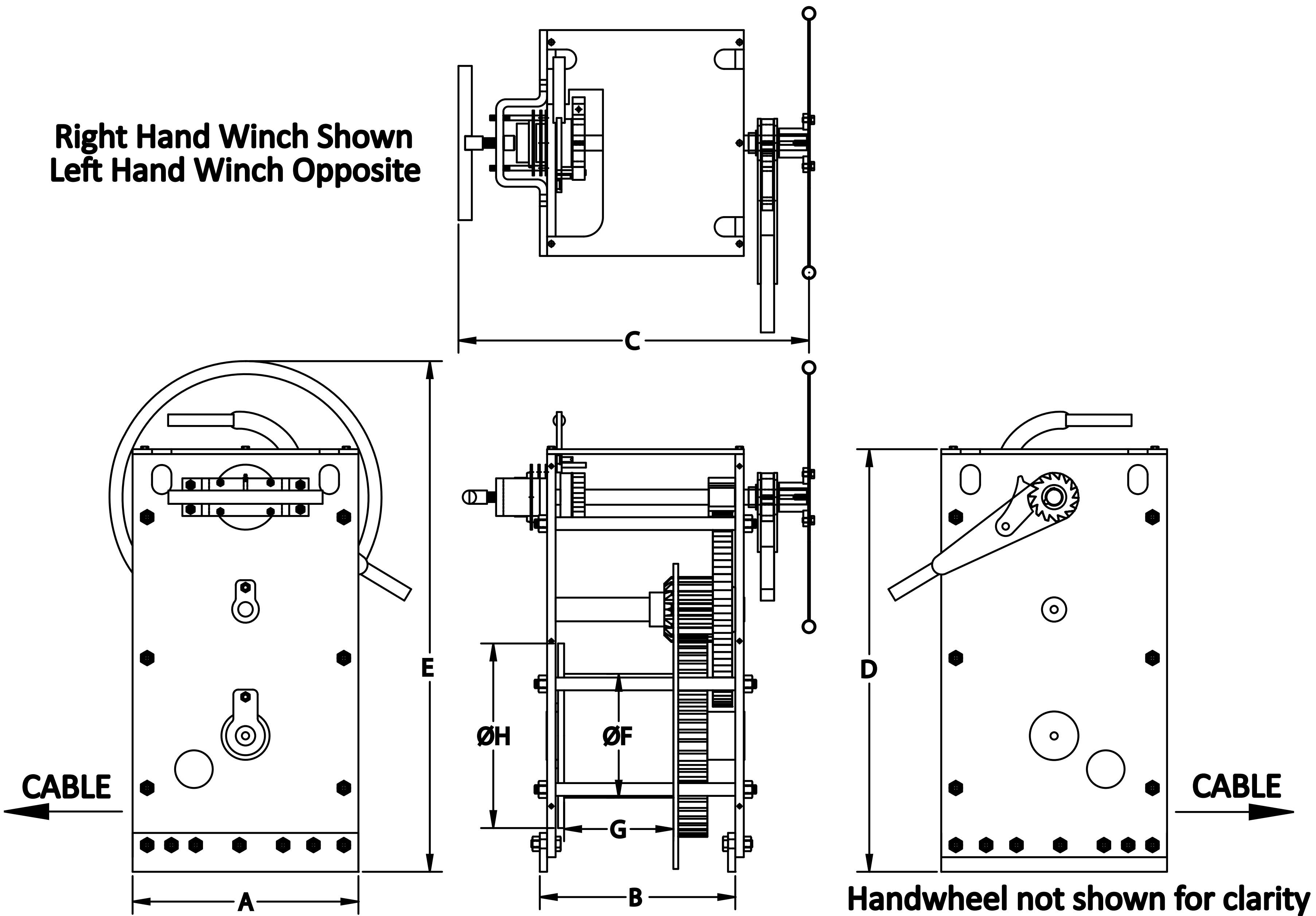


**Right Hand Winch Shown
Left Hand Winch Opposite**



DF-3 Winch	Part Number	Length "A"	Width "B"	Overall Width "C"	Height "D"	Overall Height "E"	Drum Dia. "F"	Drum Width "G"	Flange Dia. "H"	Weight
20/30 Ton	94241 (RH) 94242 (LH)	22"	19 ³ / ₈ "	33 ¹ / ₂ "	35 ¹ / ₂ "	44 ⁹ / ₁₆ "	10 ³ / ₄ "	11"	16"	1065 lbs
40 Ton	94237 (RH) 94238 (LH)	23 ¹ / ₄ "	20 ¹ / ₈ "	36 ¹ / ₁₆ "	43 ¹ / ₂ "	52 ⁹ / ₁₆ "	12 ³ / ₄ "	11 ¹ / ₄ "	19"	1525 lbs