

EVERYTHING YOU NEED FROM THE DECK UP

DF-512-5-SS / DF-511-5-SS ROLLER CHOCK

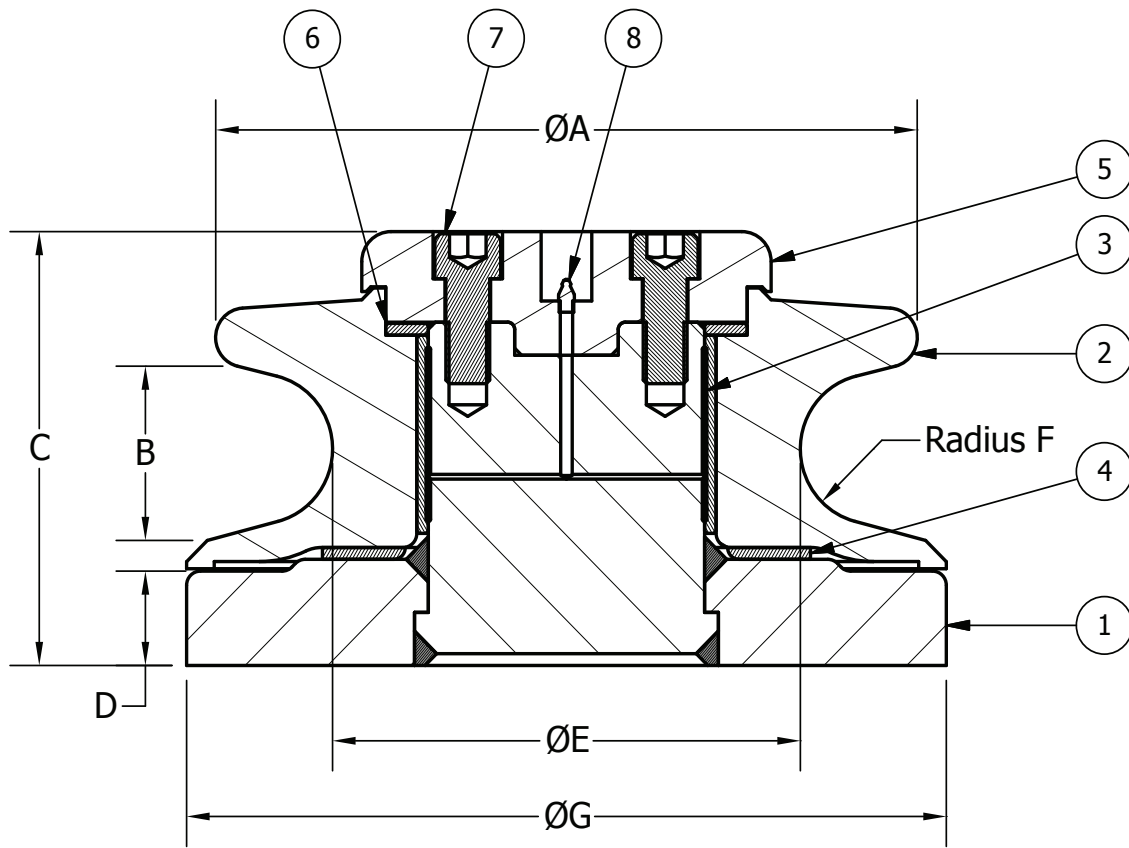
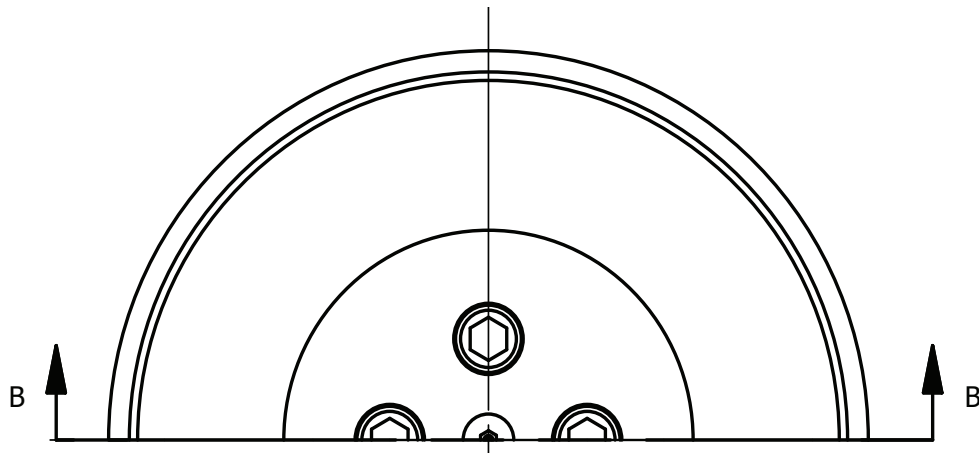
Features & Specifications

- Safe working load 75 tons
- Easily removable and replaceable head
- Low maintenance



MODEL NO.	PART NO.	WEIGHT
		LBS
DF-512-5	89180	171
DF-511-5	89178	197

ITEM NO.	DESCRIPTION	DF-512-5	DF-511-5	MATERIAL
1	Roller Base Assembly	89194	89194	Mild Steel
2	Roller Sheave	89183	89184	Stainless
3	Bushing	89198	89198	Bronze
4	Lower Washer	89199	89199	Bronze
5	Roller Cap	89197	89197	Stainless
6	Upper Washer	6913	6913	Bronze
7	Cap Screw	413	413	Stainless
8	Grease Fitting	100101	100101	Stainless



MODEL NO.	SIZE	ØA	B	C	D	ØE	F	ØG
DF-5I2-5	12"	12"	2-15/16"	7-1/4"	1-9/16"	8"	1-1/4"	13"
DF-5I1-5	16"	16"	2-15/16"	7-1/4"	1-9/16"	8"	1-1/4"	13"



NABRICO